

PERFORMANCE DATA SHEET NEMA PREMIUM NR CAN NEMA 12 - 12

Catalogue #: **MPOP-31**

HP	kW	Voltage	S.F. @ 60Hz	EFF.	P.F.	Frame	Design	L.R. Amps
10	7.46	575	1.15	89.5%	0.82	213T	B	65

60 Hz								
FLA							Code	F.L. RPM
208	230	416	460	480	575	600		
/	/	/	/	/	10.2	9.77	H	3545

50 Hz								
FLA			S.F. @ 50Hz	Efficiency	Power Factor	Code	F.L. RPM	
190	380	415						
/	/	/	/	/	/	/	/	

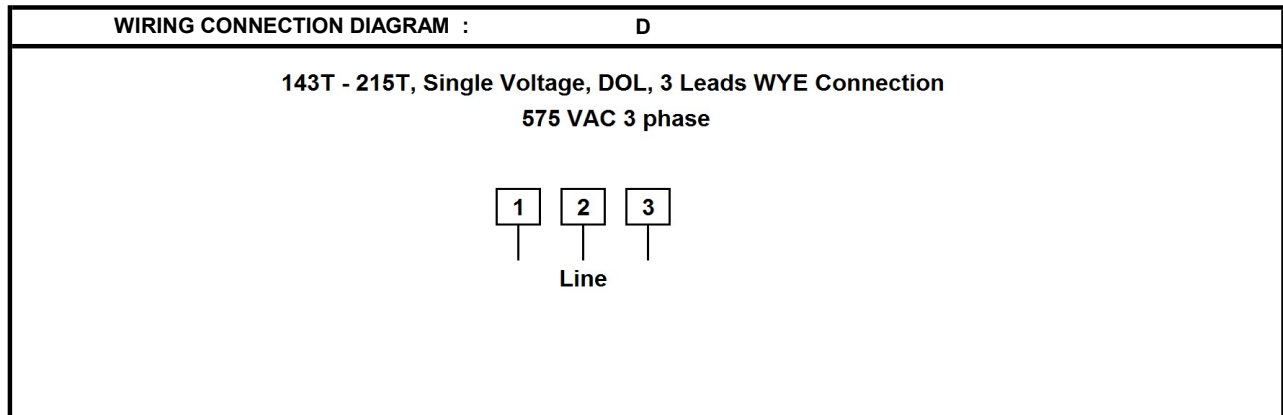
Wgt. Lbs	PH	Duty	Insul. Class	Amb.	Elevation	Temp. Rise° C
167	3	Cont.	F	40°C	1000M (3300 Ft)	42

% Efficiency		% Power Factor		Torque		Winding Resist. Ω	Safe Cold Start (Secs)
Full Load:	89.5%	Full Load:	0.82	Full Load Ft/Lbs	14.8		
3/4 Load:	88.5%	3/4 Load:	0.75	Locked Rotor %	160		
1/2 Load:	86.0%	1/2 Load:	0.63	Break Down %	290	1.55	20

Rotor Inertia Wk2 Lb-Ft2	Max Load Inertia Wk2 Lb-Ft2	Shaft Material	Frame Material	DE Bracket Type	ODE Bracket Type	Enclosure	NEMA Rating	Lead Wire Size
0.36	15.8	Standard	Rolled Steel	Standard	Standard	ODP	IP23	14 AWG

Ball Bearings		Grease	Mount Type	Orientation	Paint	Sound Pressure @ 3FT	Sound Power
DE	ODE						
6208	6208	Sealed Bearings	Rigid	Horizontal	Green	81	91

Inverter Duty. Motor meets MG1 parts 31.4.4.2	Constant Torque Range	Variable Torque Range	Constant HP RPM
	10:1	20:1	5400

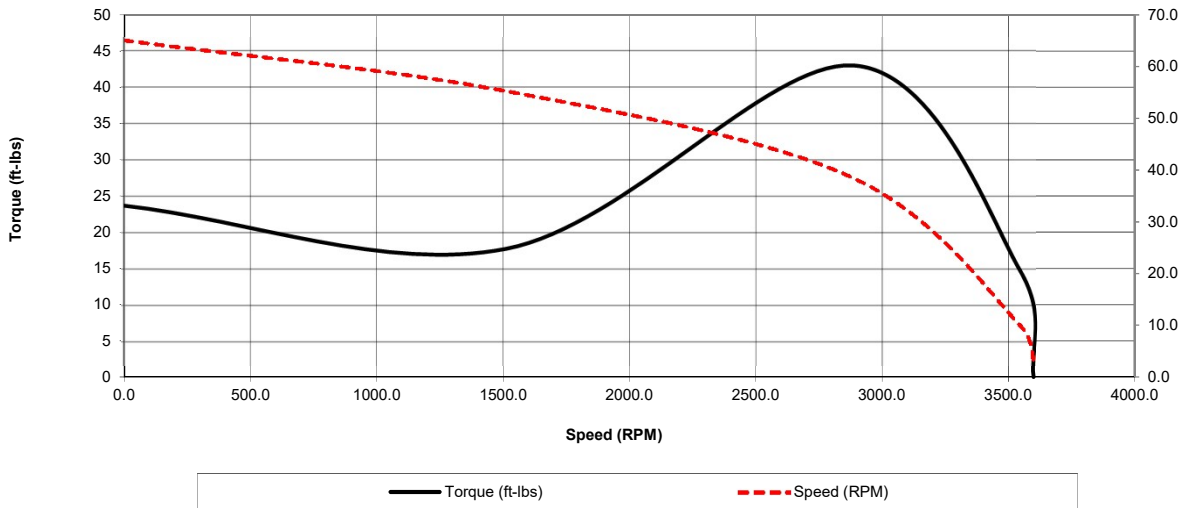


Date: 2020-02-17
 Customer: _____
 Contact: _____
 Submittee: J.C. Lavallée

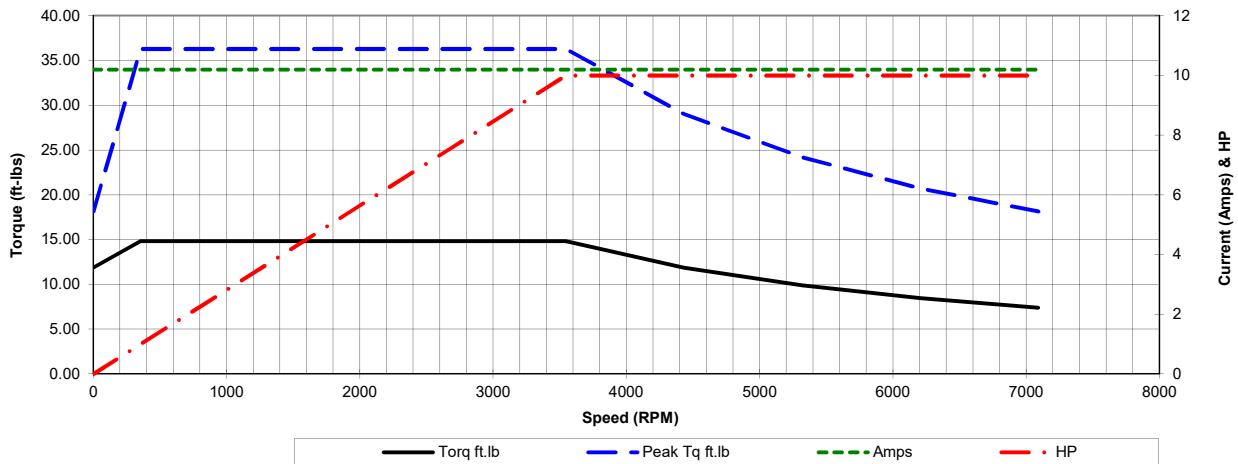
Catalogue #: **MPOP-31**

NEMA PREMIUM NR CAN NEMA 12 - 12										
HP	VAC	RPM	Enclosure	Frame	Frequency	Design	Poles	LR Code Letter	Insulation Class	Temp. Rise °C
10	575	3545	ODP	213T	60	B	2	H	F	42
	0Hz	6Hz	15Hz	30Hz	45Hz	60Hz	75Hz	90Hz	105Hz	120Hz
Amps	10.2	10.2	10.2	10.2	10.2	10.2	10.2	10.2	10.2	10.2
RPM	0	354.5	886.25	1772.5	2658.75	3545	4431.25	5317.5	6203.75	7090
Torq ft.lb	11.85	14.82	14.82	14.82	14.82	14.82	11.85	9.88	8.47	7.41
Peak Tq ft.lb	18.15	36.30	36.30	36.30	36.30	36.30	29.04	24.20	20.74	18.15
HP	0	1.0	2.5	5.0	7.5	10.0	10.0	10.0	10.0	10.0
	Locked Rotor	Pull-Up	Breakdown	Rated Load	Idle	Duty	S. F.	Ambient	Elevation	dBA @ 1M
Speed (RPM)	0.0	1512	2880	3545	3600	Continuous	1.15	40°C	3300 ft	81
Current (Amps)	65.0	55.3	38.7	10.2	2.8	VFD Rating: Meets MG1 parts 31.4.4.2				
Torque (ft-lbs)	23.7	17.8	43.0	14.8	0.0	C.T.	10:1	V.T.	20:1	

Motor Speed Data



Motor Torque Capability vs RPM



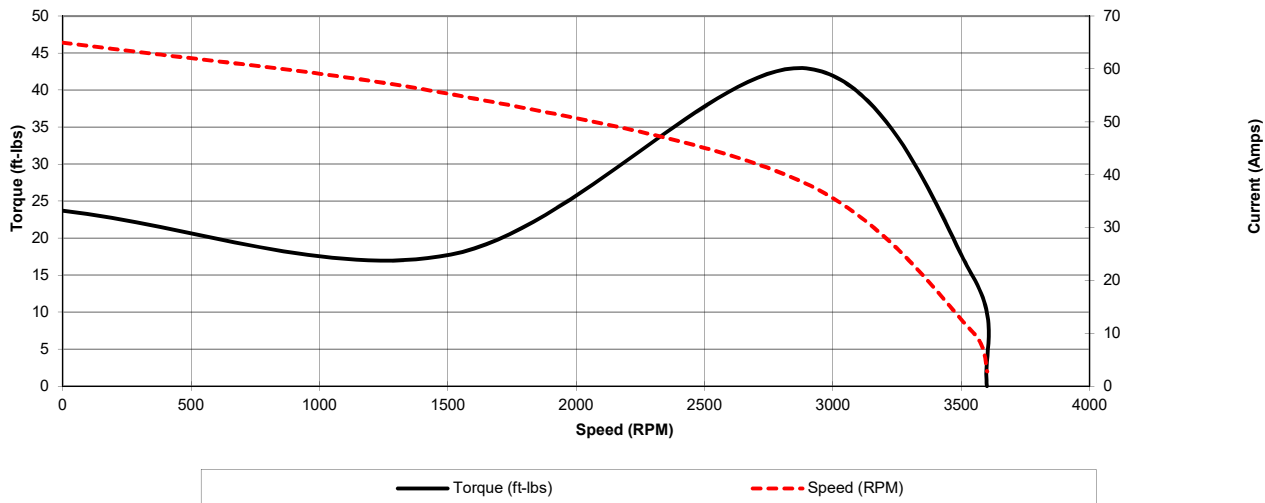


Date: 2020-02-17
 Customer: _____
 Contact: _____
 Submittee: J.C. Lavallée

Catalogue #: **MPOP-31**

NEMA PREMIUM NR CAN NEMA 12 - 12										
HP	VAC	RPM	Enclosure	Frame	Frequency	Design	Poles	LR Code Letter	Insulation Class	Temp. Rise °C
10	575	3545	ODP	213T	60	B	2	H	F	42
Load %	0%	25%	50%	75%	100%	125%	150%			
Amps	2.80	3.63	5.30	7.20	10.20	11.35	13.63			
Torq ft/lbs	0	3.69	7.38	11.21	14.97	18.81	22.72			
RPM	0	3586.25	3572.5	3558.75	3545	3531.25	3517.5			
Eff	0	78.64	86.00	88.50	89.50	89.50	89.50			
PF	0	65.6	63	75	82	92.2	92.1			
	Locked Rotor	Pull-Up	Breakdown	Rated Load	Idle	Duty	S. F.	Ambient	Elevation	dBa @ 1M
Speed (RPM)	0	1512	2880	3545	3600	Continuous	1.15	40°C	3300 ft	81
Current (Amps)	65	55.3	38.7	10.2	2.8	VFD Rating: Meets MG1 parts 31.4.4.2				
Torque (ft-lbs)	23.70	17.78	42.96	14.82	0.0	C.T.	10:1	V.T.	20:1	

Motor Speed Data



Motor Load Data

